

Type MSR000

Power supply module

Type MSR000

with 24V DC voltage output and 50mA current output to supply the humidity sensors of the FG and FK series.

Description of the module

The power supply module represents a mains power supply for 220V AC operating voltage and 24V DC output voltage. The output current is 50mA. Two sensors of output 0(4)...20mA can therefore be operated, e.g. a temperature and humidity sensor TFG80J with current or voltage output for temperature and humidity. Its small and compact construction at a favourable price-to-power ratio is the optimum solution for many measurement and regulation problems.

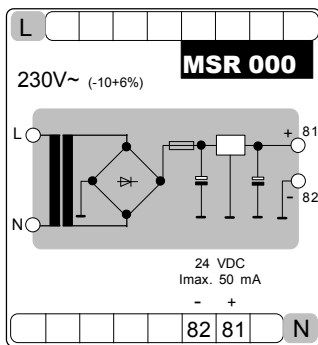
The power supply module MSR000 is supplied for standard bar mounting (35x7.5 mm) in the standard version. A suitable adapter (order no.20.015) is available for individual mounting.

Technical data

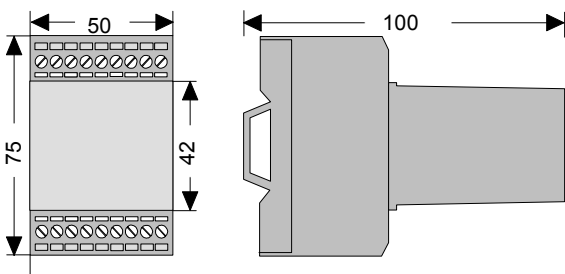
power supply	230V AC
allowable deviation	-10%...+15%
frequency	50...60Hz
power consumption	ca 2.5 VA
voltage output	24V DC ±5%
current output	50mA
residual ripple	< 50 mVpp (typical)
pin configuration	DIN 45140
insulation class	C/250V AC conforming to VDE0110
ambient temperature	0°C...+70°C
allowable rel. humidity	5%rh.... 90%rh
elctromagnetic compatibility EMC	
resistance to interference.....	ref. EN 50 082-2
interference emission.....	ref. EN 50 081-2
housing	polyamide 6.6, colour green
mounting	standard bar 35x7.5mm in accordance with DIN 50022
.....individual mounting with adapter panel (order no. 20.015)	
protective system	IP40 (terminals IP20)
weight	0.35kg

„subject to technical modifications“

Connection diagram



Dimensions diagram



Circuit diagram

